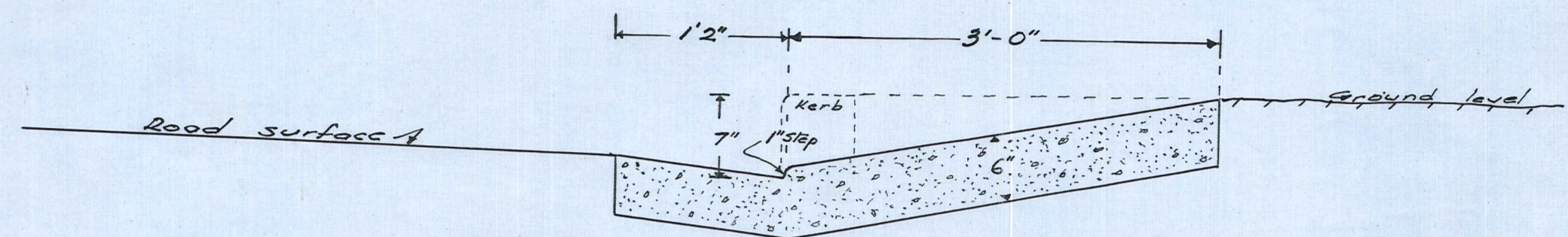
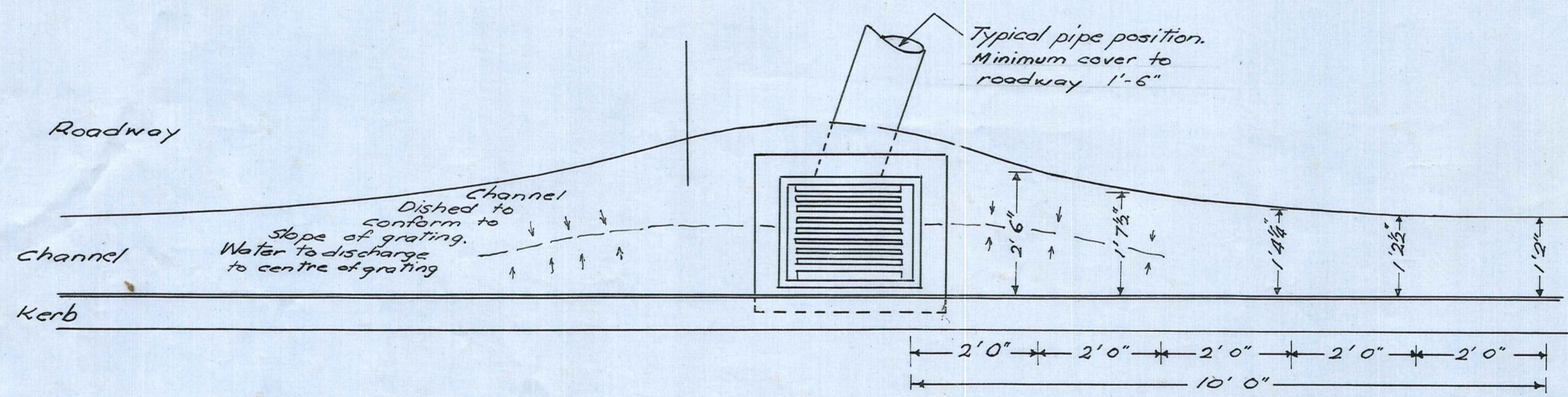
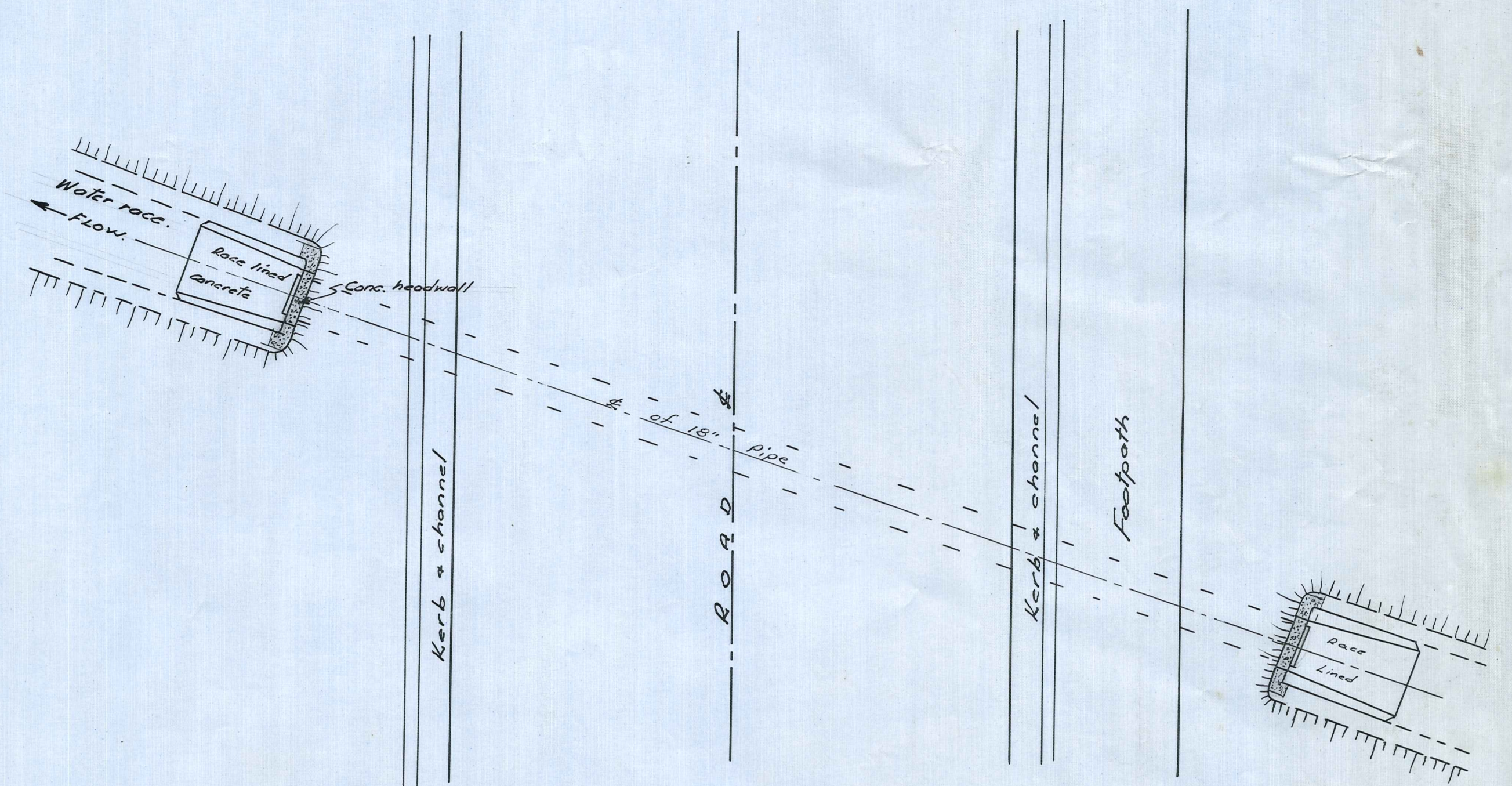


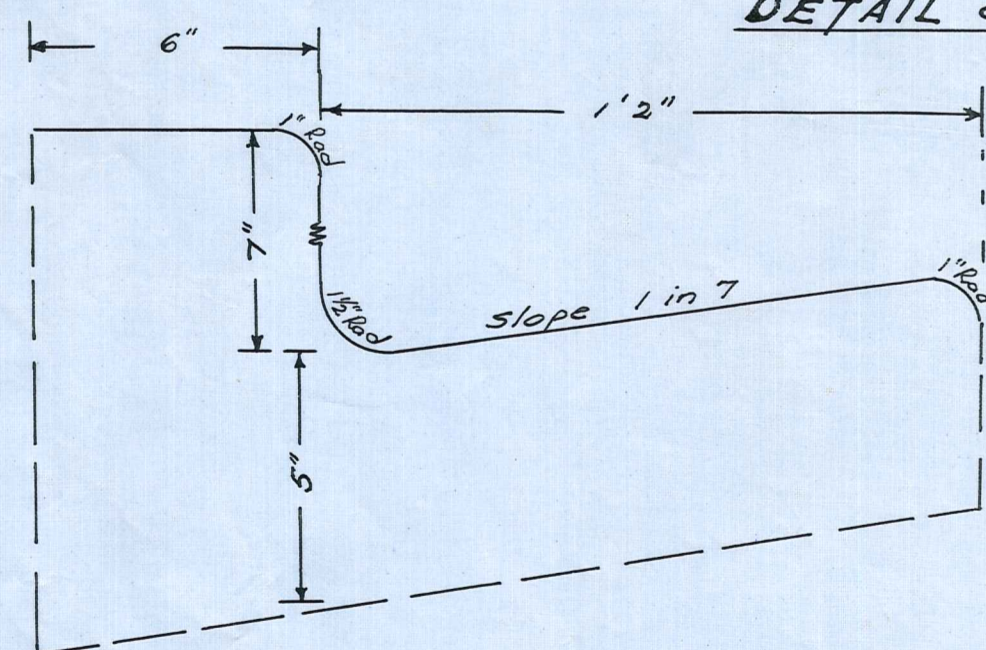
**TYPICAL X-SECTION OF CARRIAGEWAY**  
Scale: 1/4" to 1'



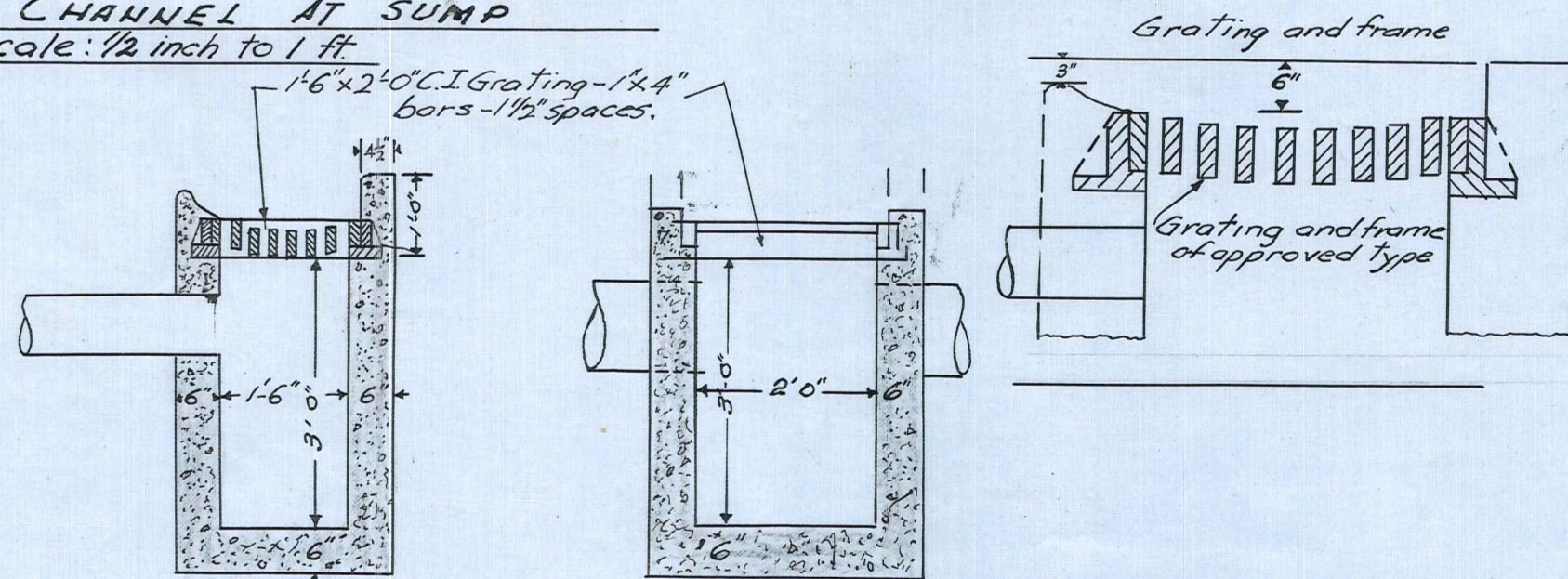
**SECTION OF DISH CROSSING**  
Scale: 1 in. to 1 ft.



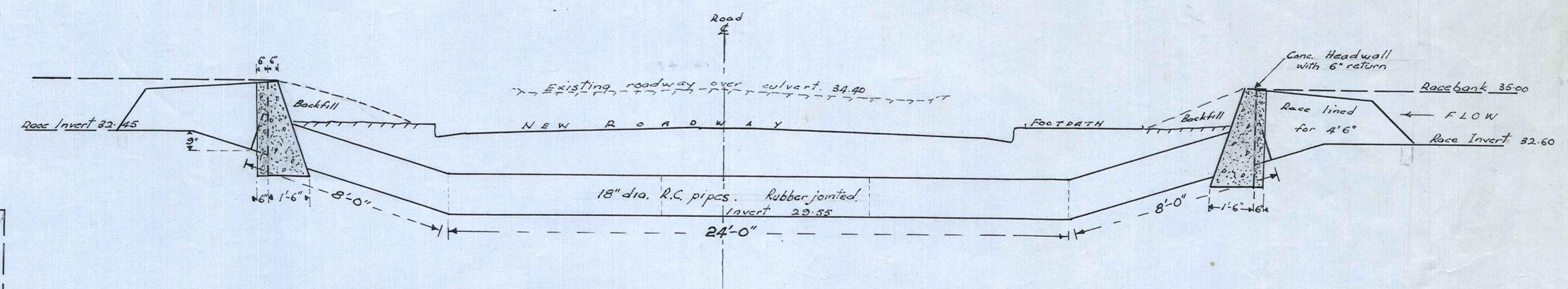
**DETAIL OF CHANNEL AT SUMP**  
Scale: 1/2 inch to 1 ft.



**SECTION OF KERB AND CHANNEL**  
Scale: 1/4 full size.



**DETAILS OF SUMP**  
Scale: 1/2 in. to 1 ft.



**DETAIL AT SIPHON O<sup>m</sup> 08.42<sup>CH</sup>**  
Scale: 1/4" to 1 ft.

**DETAIL OF KERB, CHANNEL AND SUMPS.**

VINCENT HOSPITAL BOARD

CLYDE HOSPITAL  
PROPOSED ROADING IMPROVMENTS.

APPROVED.

Surveyed by: S.H. Wragge, 3/4  
Drawn: " " 5/51  
Calcs: " " " "  
Traced: " " " "

PLAN No.