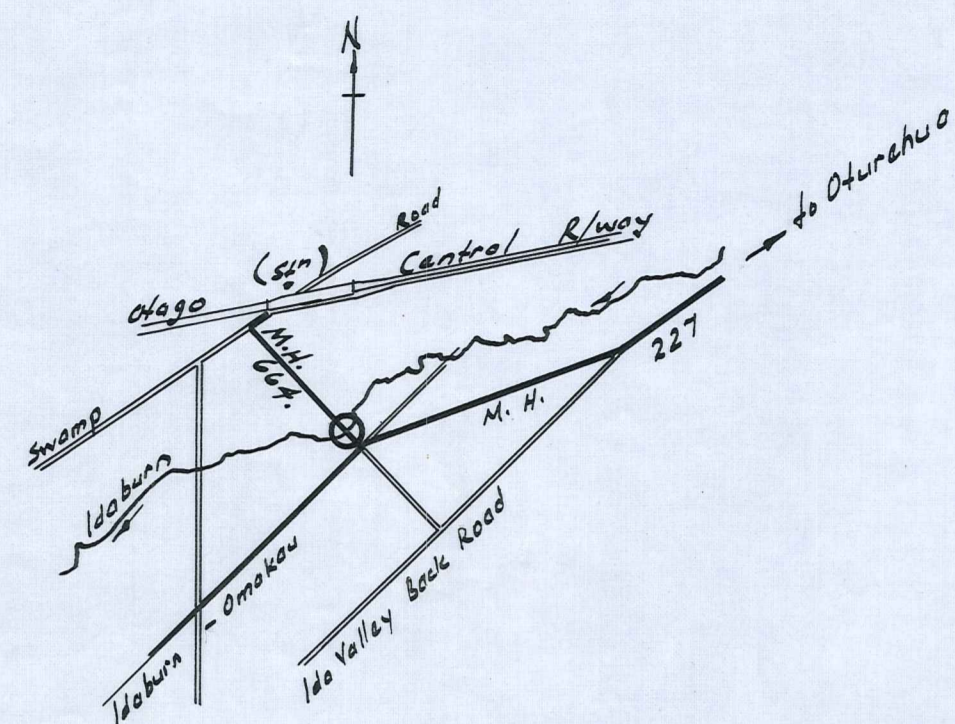
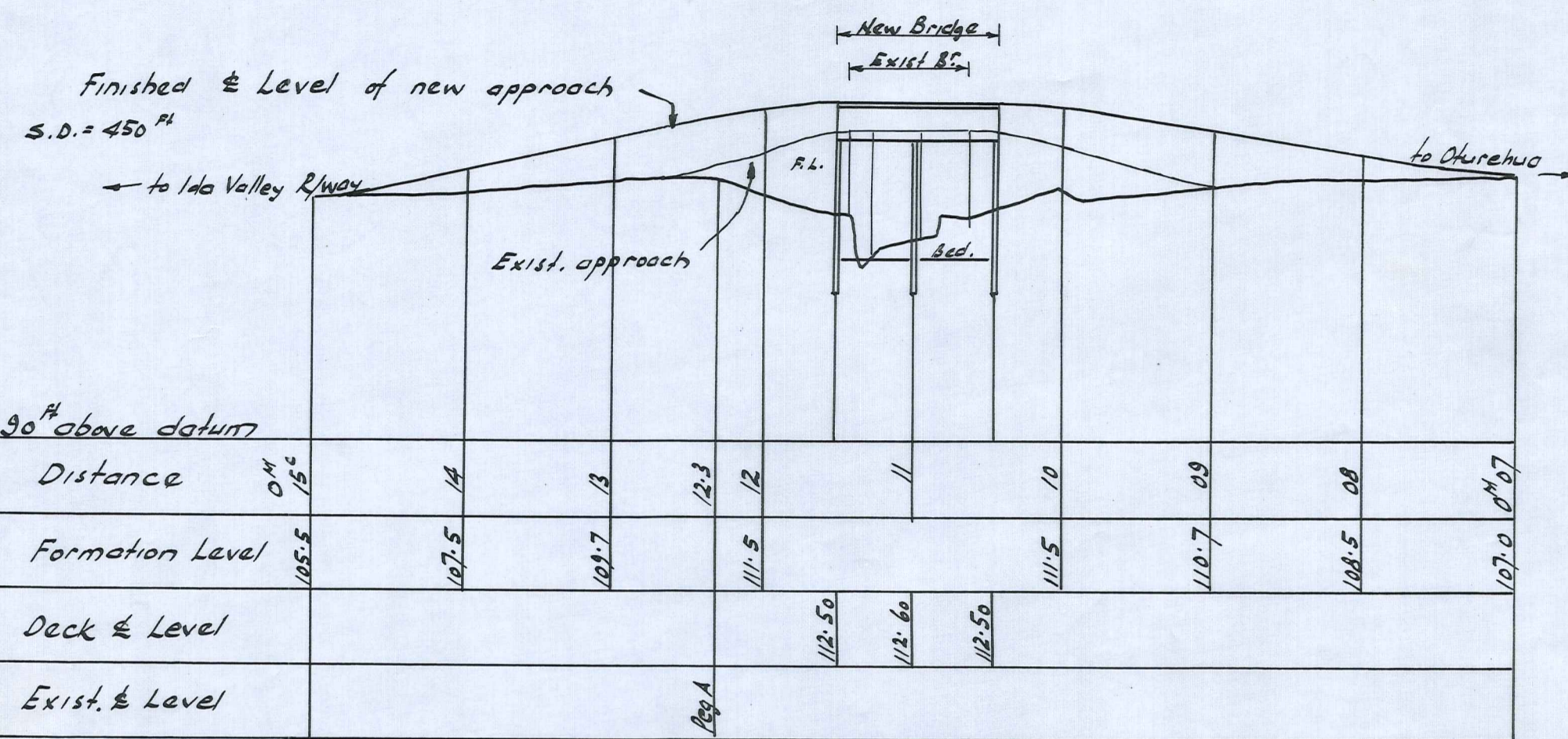


Elevation of Bridge  
1/8" to 1"

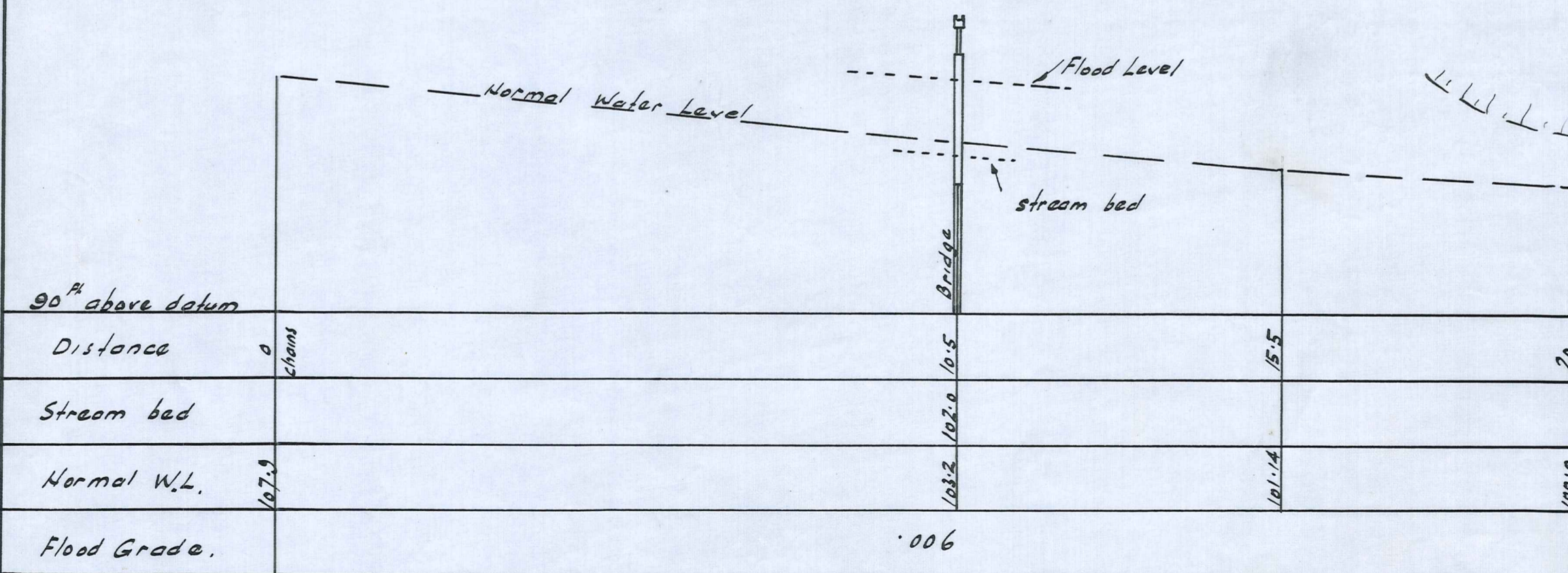


Locality Plan  
1" = 10'



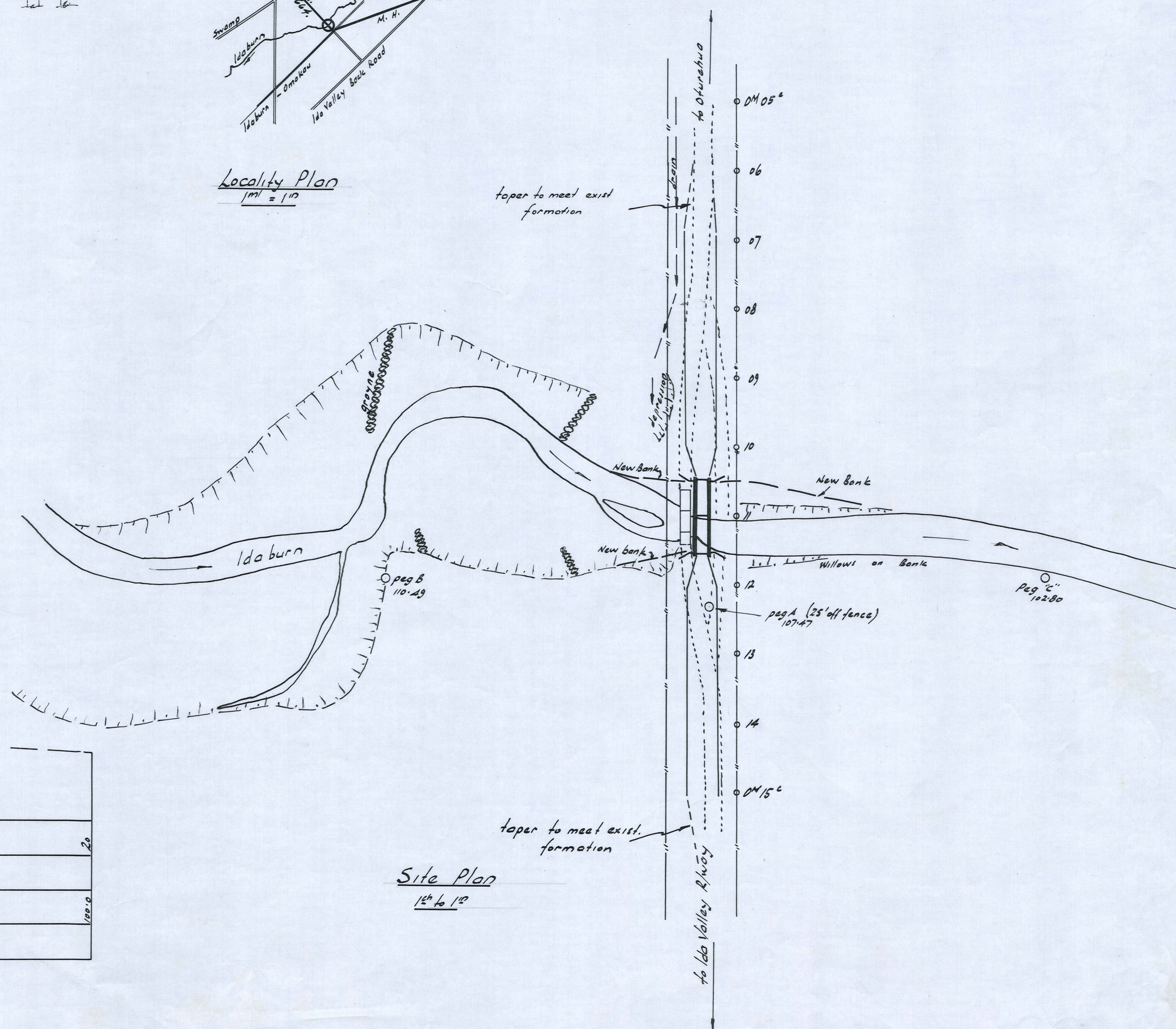
LONGITUDINAL SECTION of BRIDGE

Scale: Horiz. 1" to 10'  
Vert. 10" to 1"

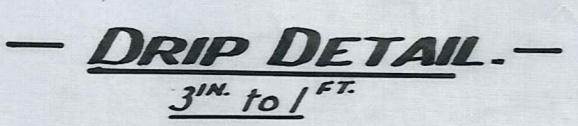
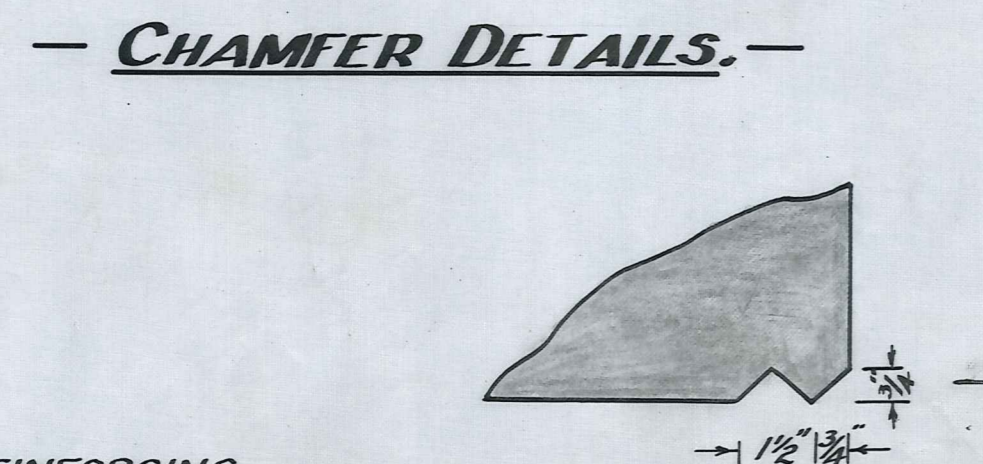
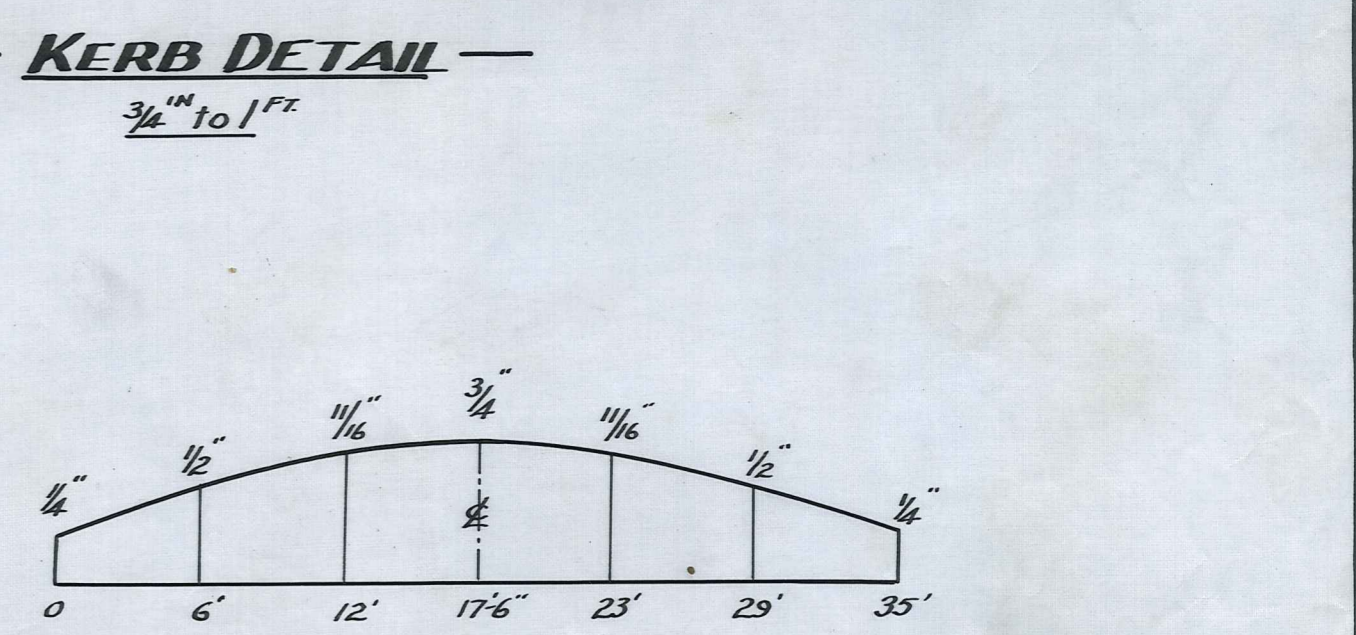
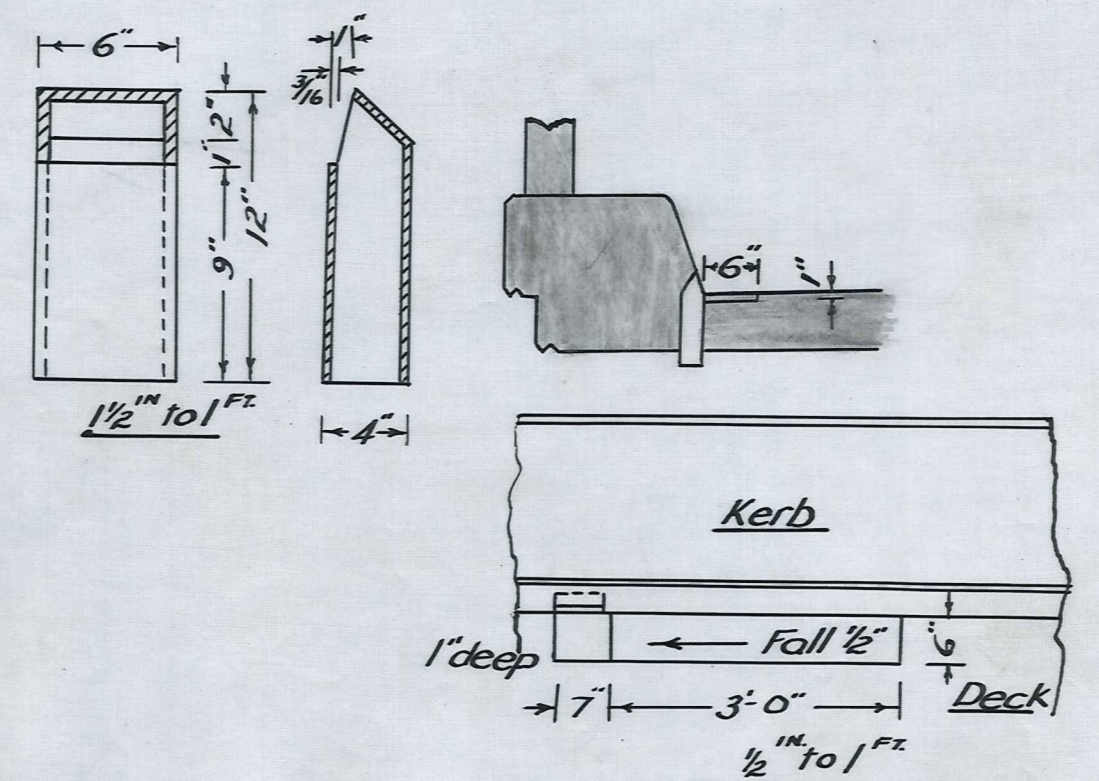
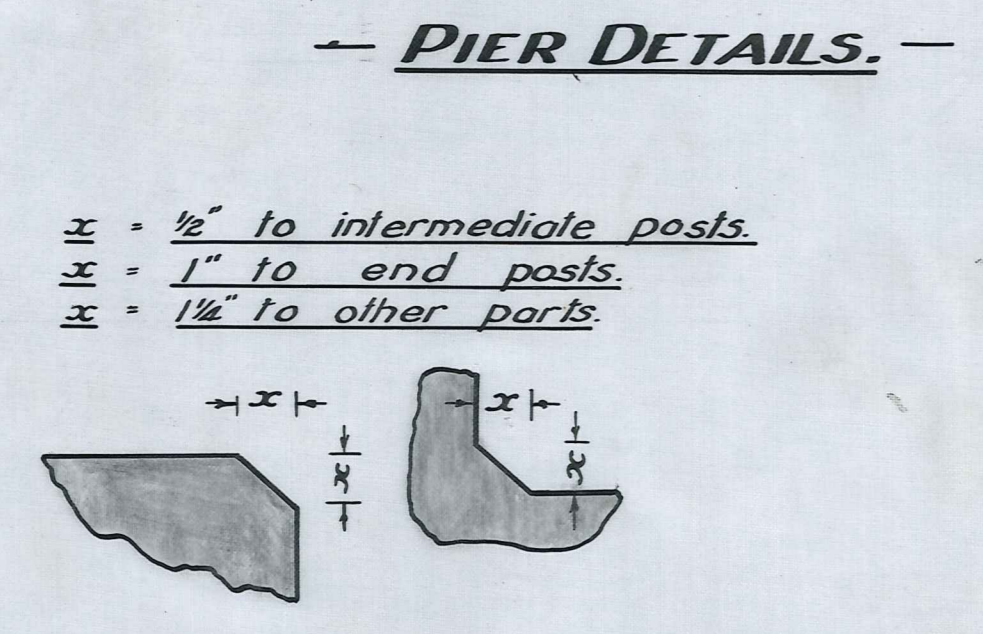
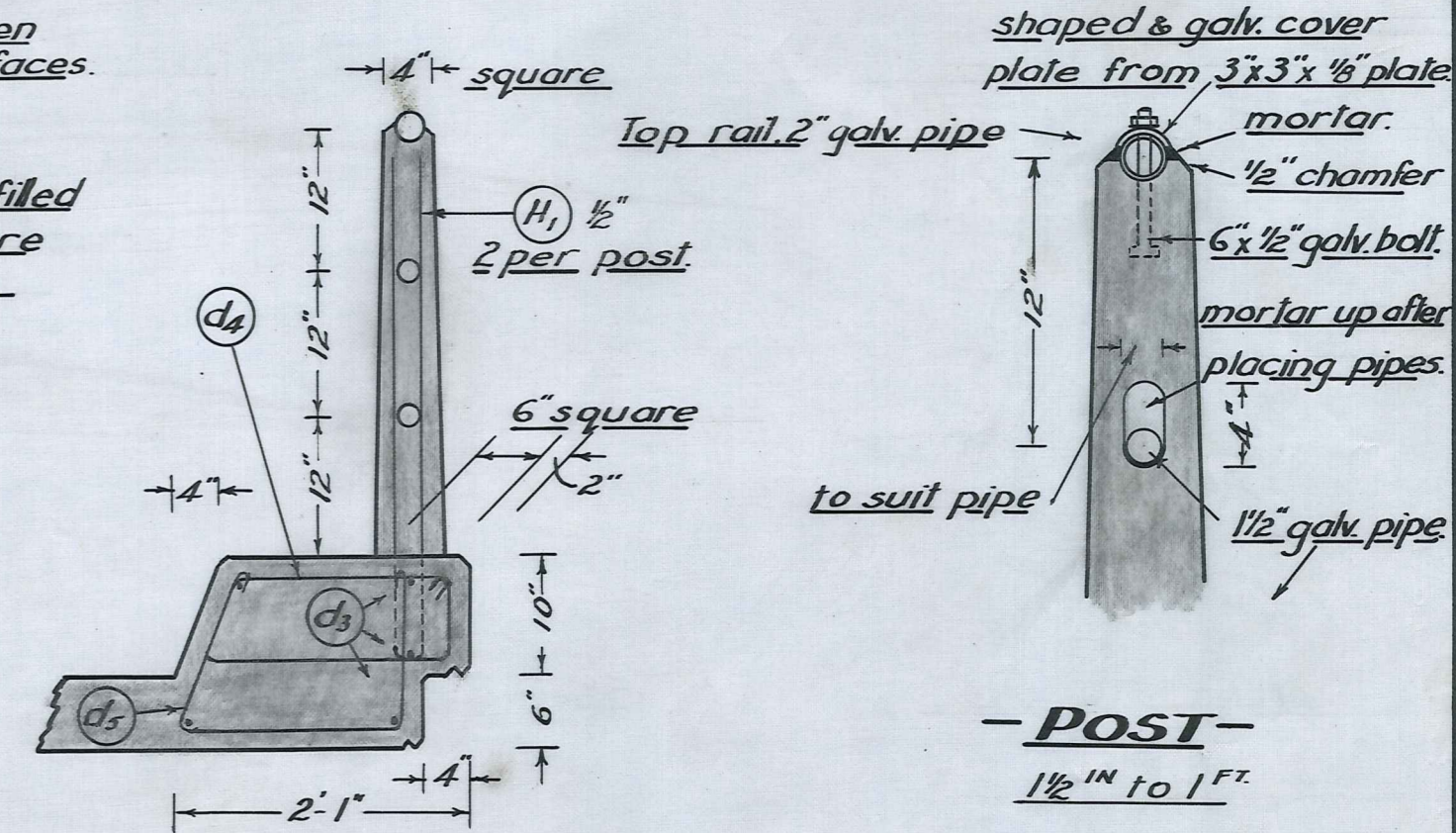
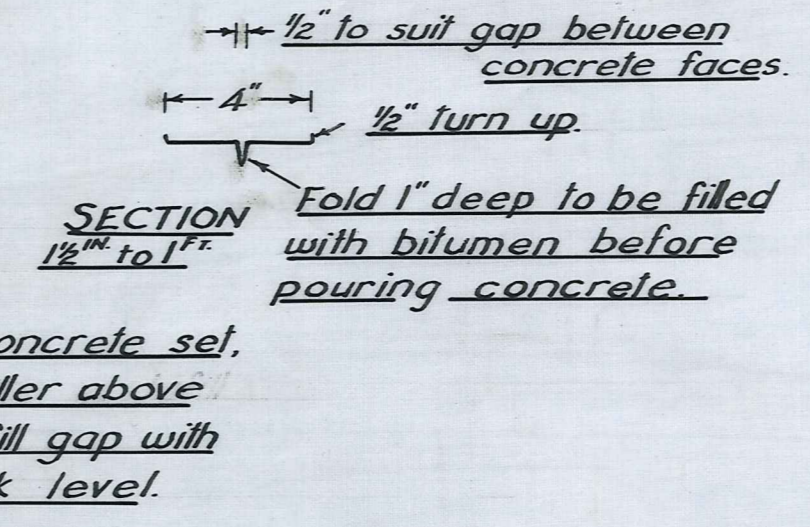
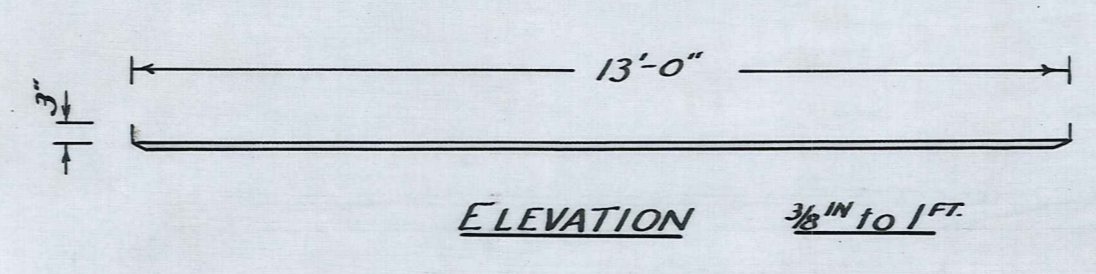
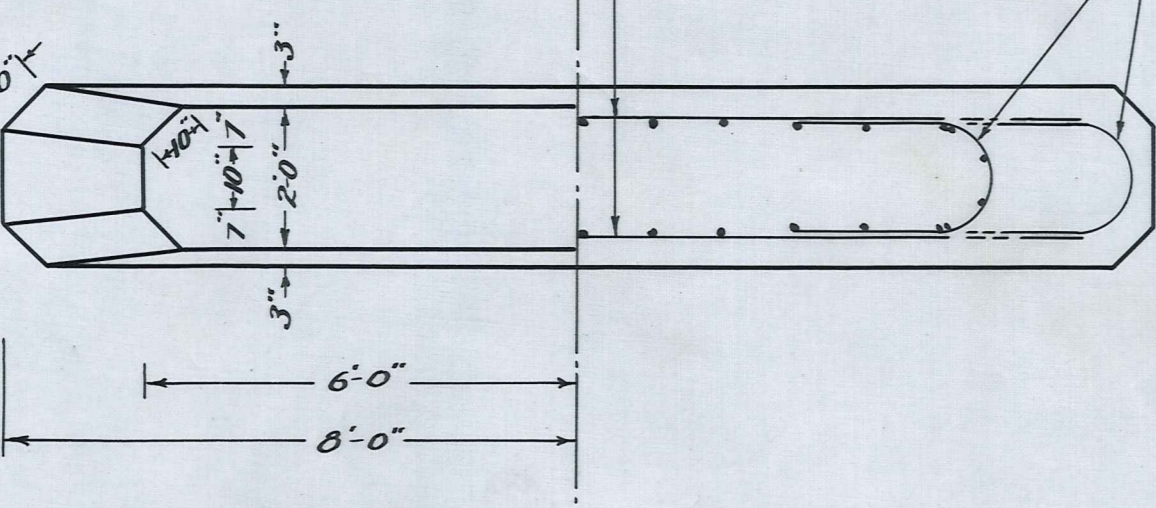
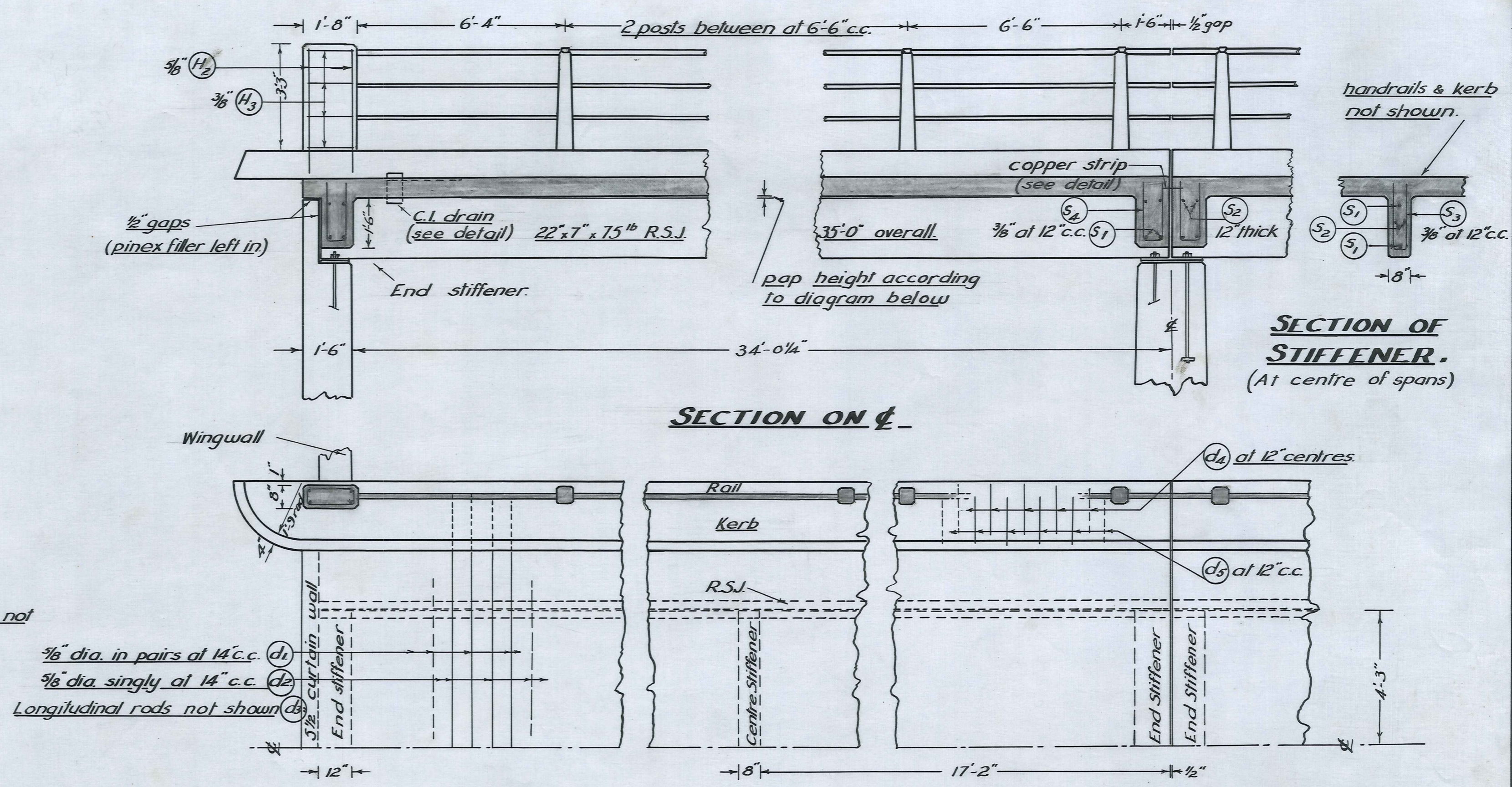
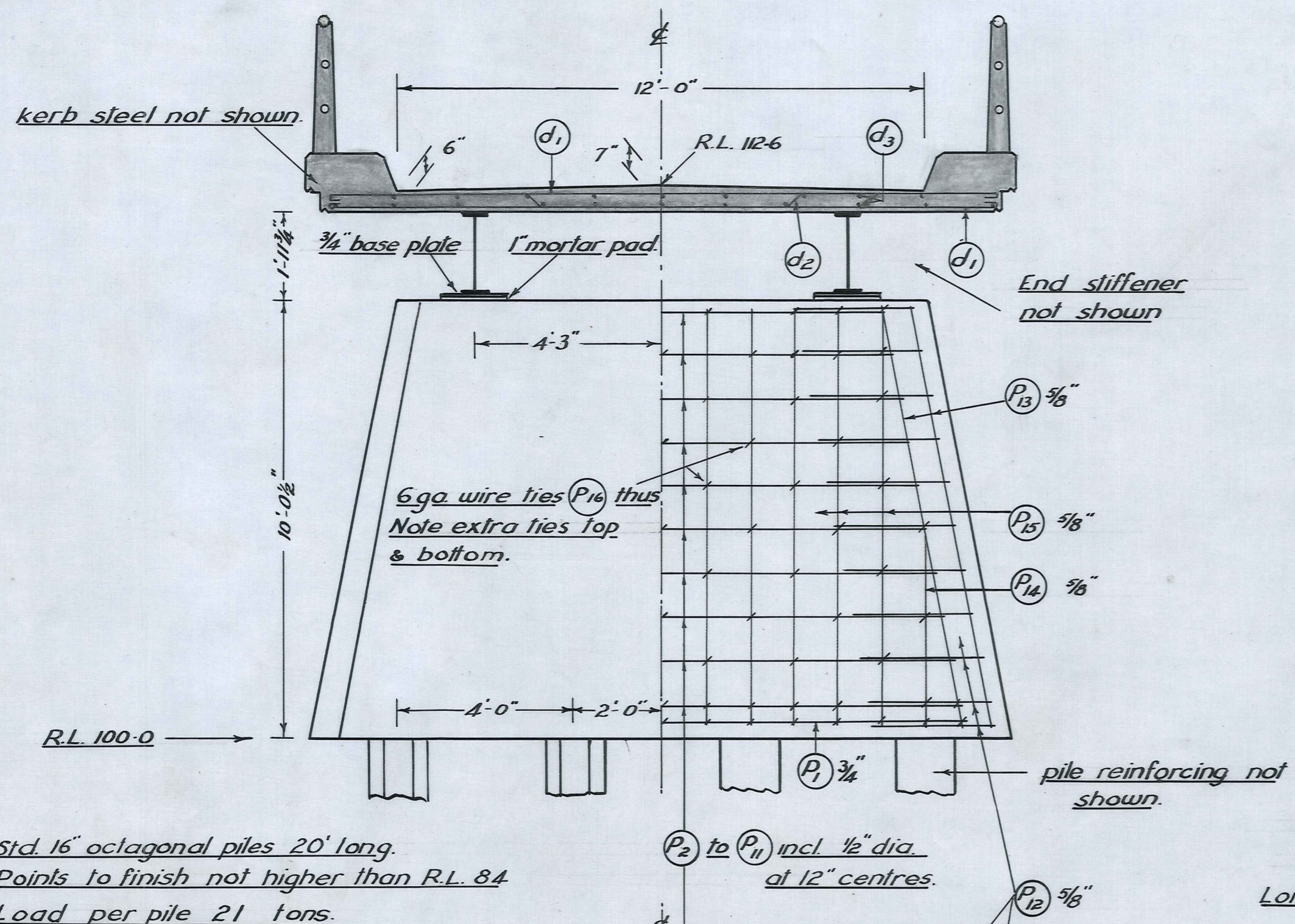


Idaburn - Longitudinal Sect. of Bridge

Scales: Horiz 2" to 1"  
Vert 10" to 1"



Site Plan  
1" to 10'



**MINIMUM COVER ON REINFORCING:**

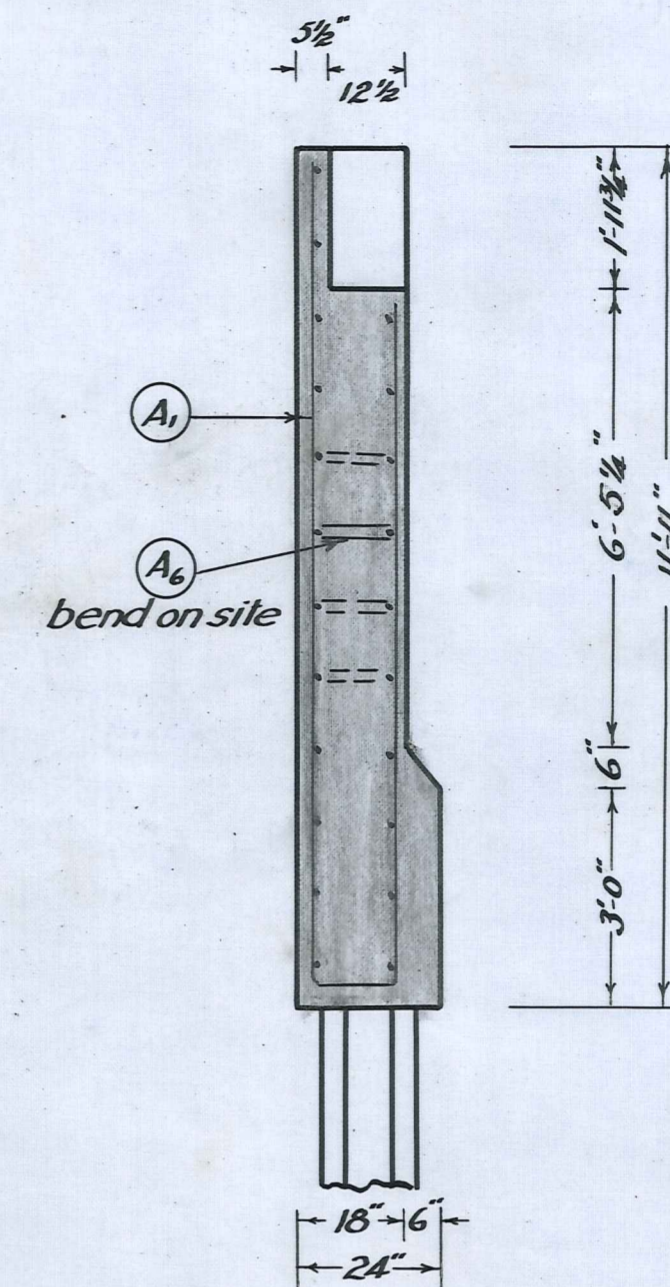
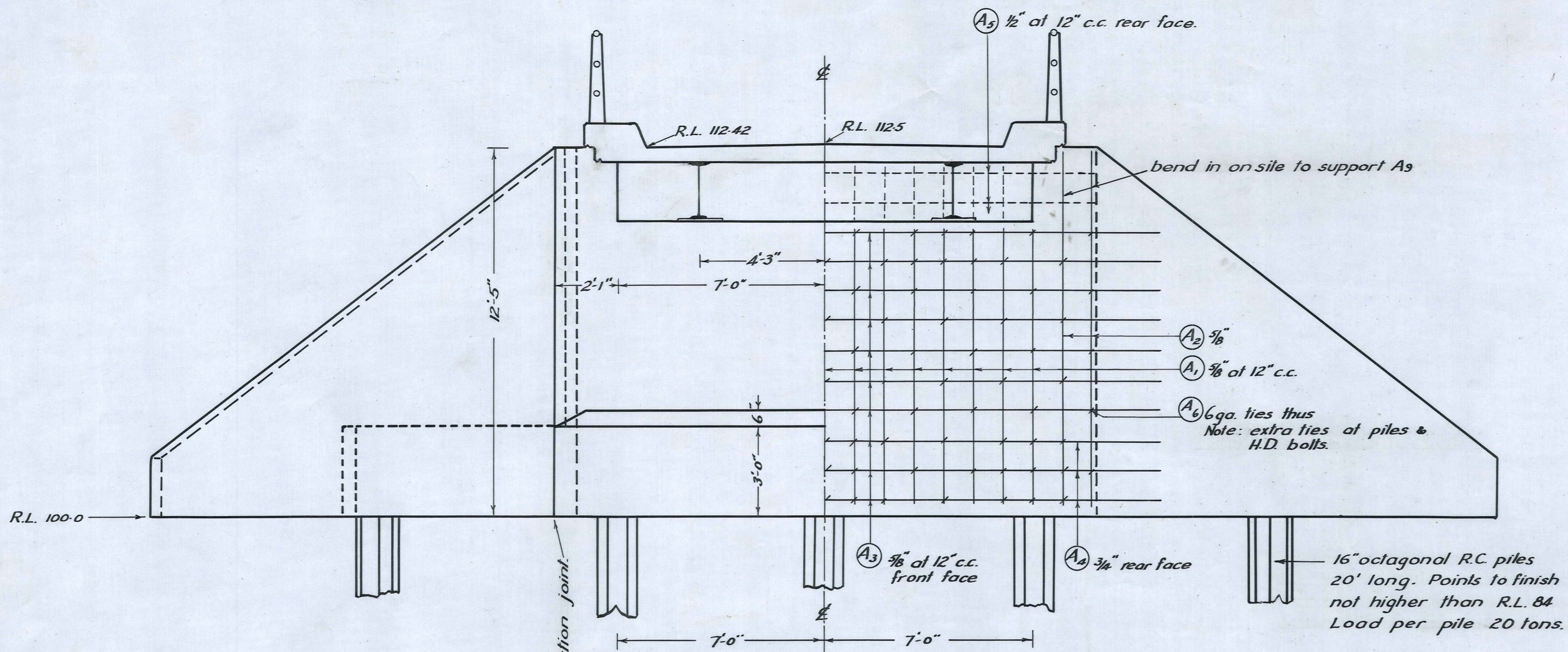
Underside of deck & inter<sup>o</sup> posts : 3/4"

Top of deck & end posts : 1 1/4"

Underside of piers & abutments : 3"

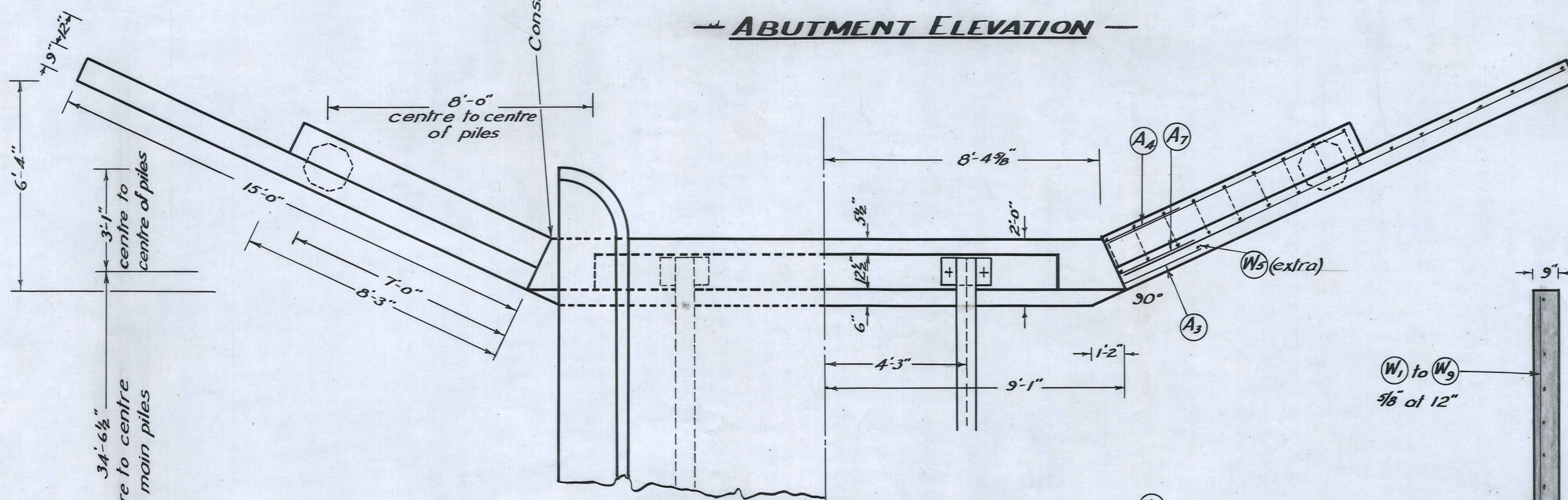
Remainder : 2"

Scale: 3/8" to 1' FT. except where shown.

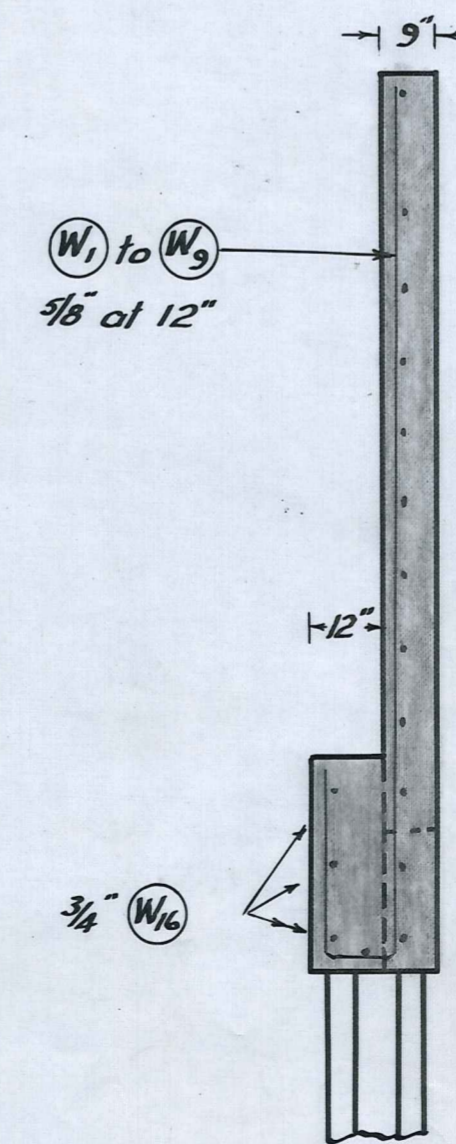


— ABUTMENT ELEVATION —

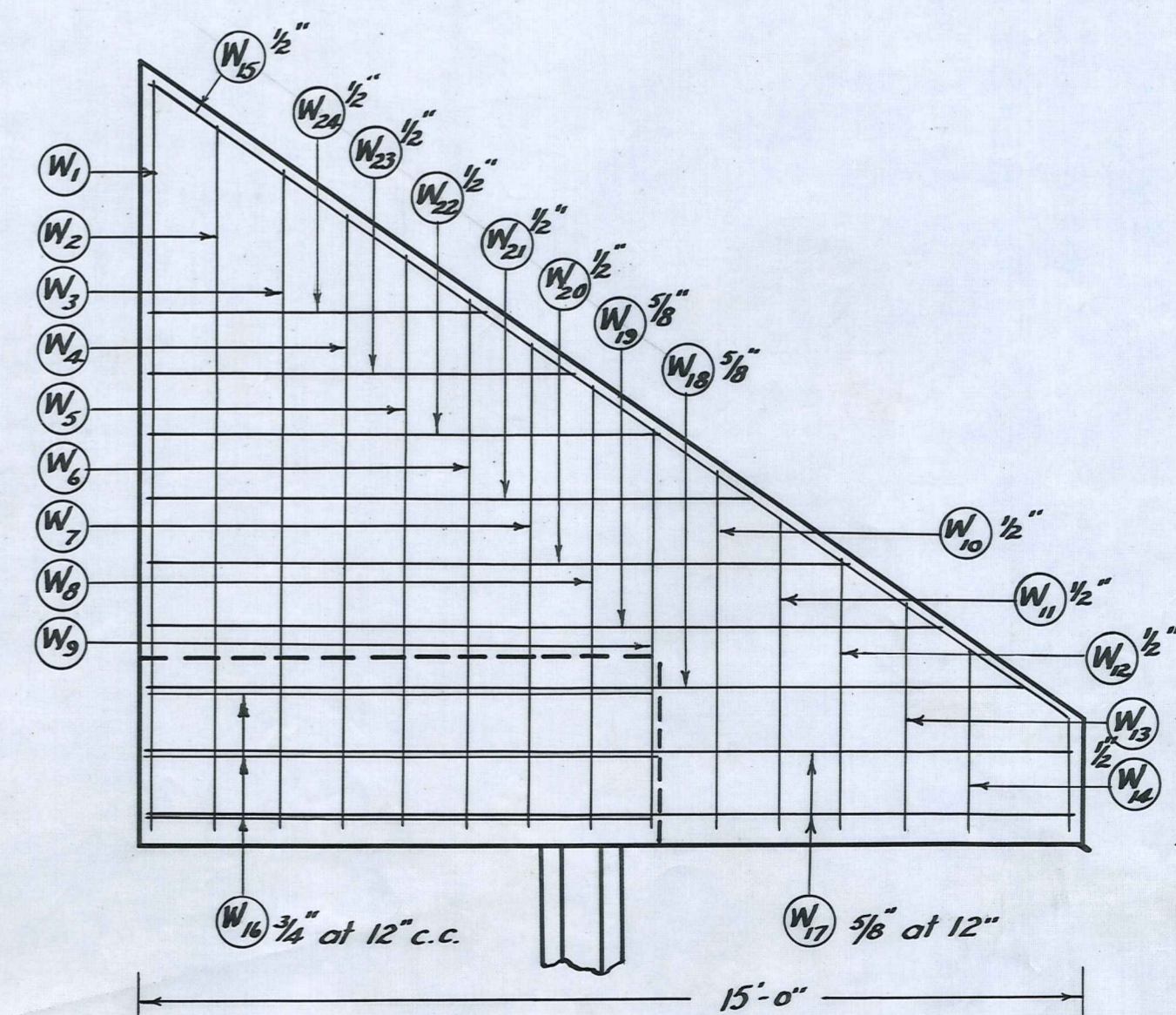
— ABUTMENT SECTION —



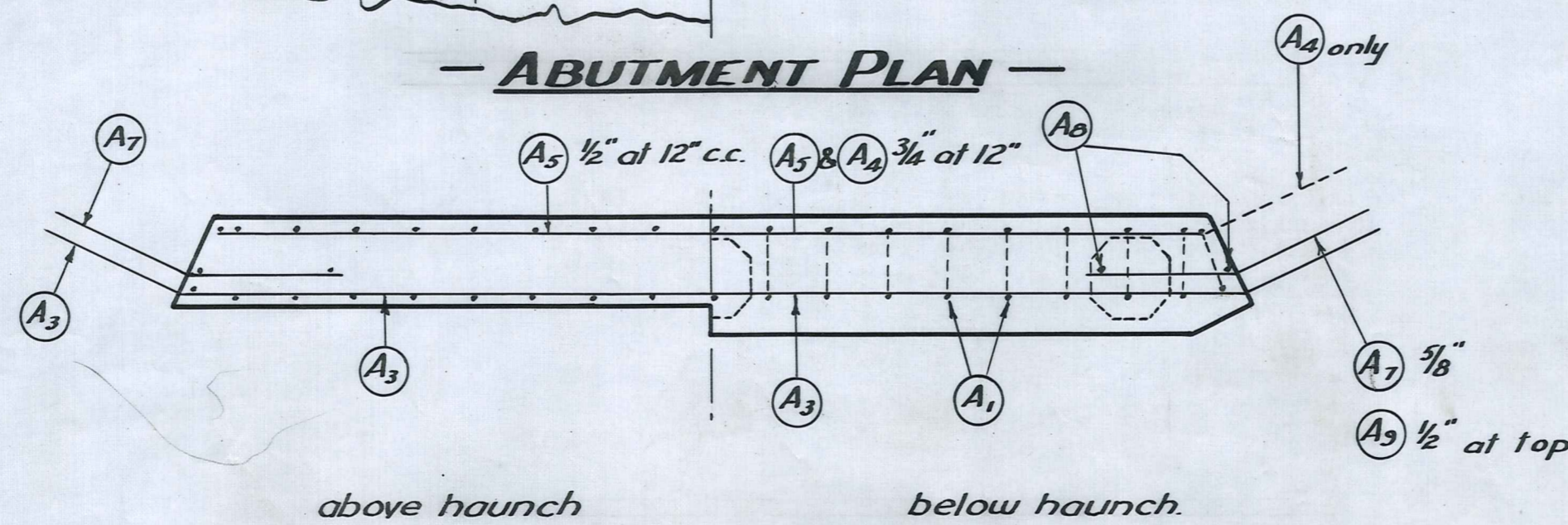
— ABUTMENT PLAN —



— END ELEV. OF WING —



— NORMAL ELEV. OF WING —

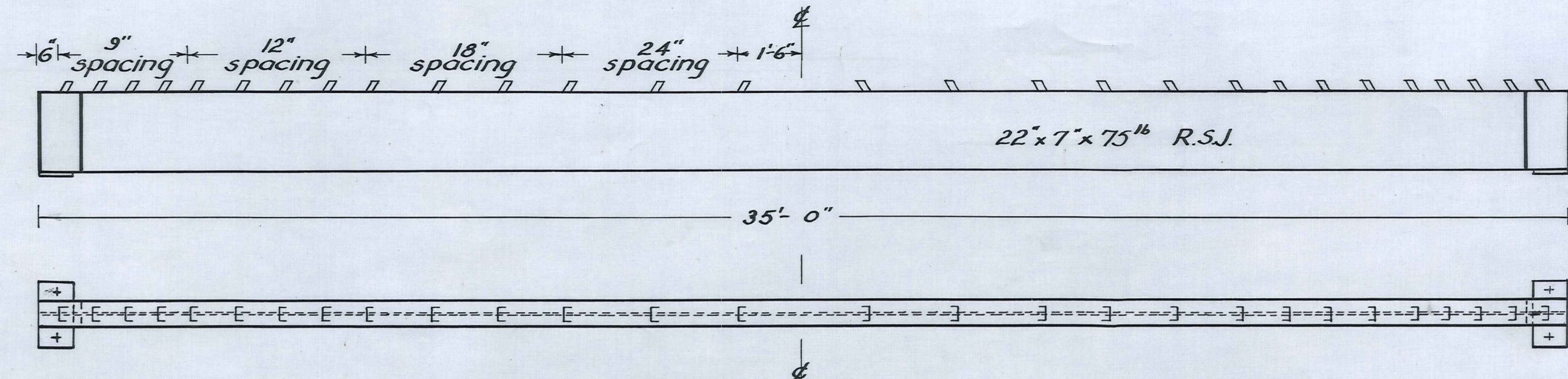


— ABUTMENT HALF-PLAN SECTIONS —

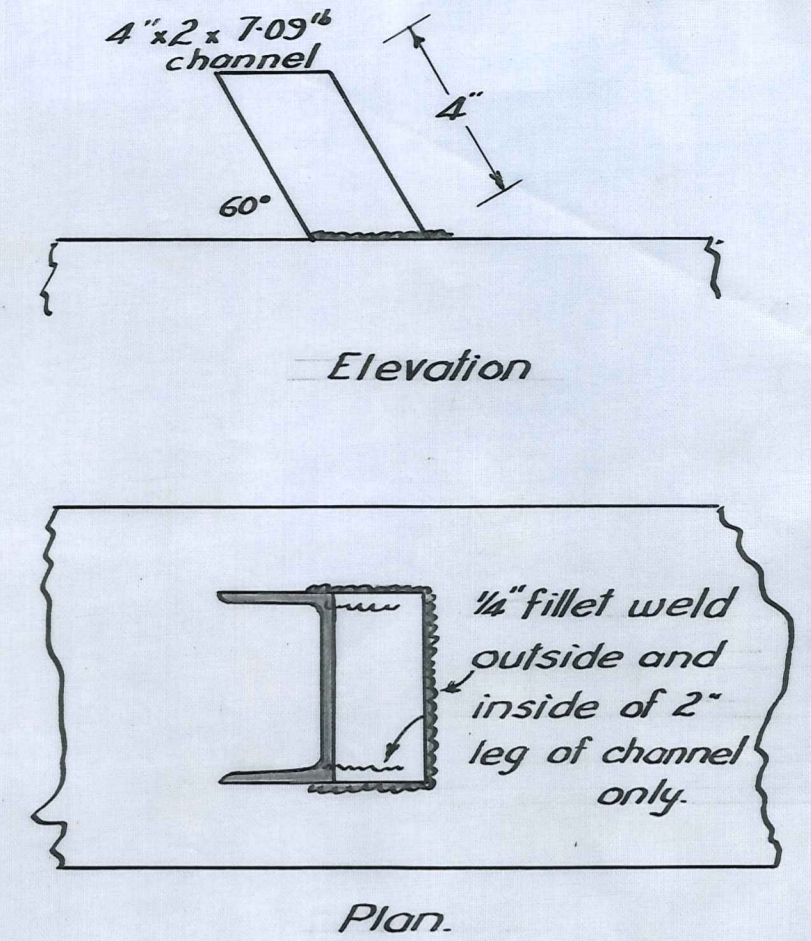
**REINFORCING SCHEDULE**

Mark	Dia	Type	N <sup>o</sup> off	a	b	Cut length	Diagram	
P <sub>1</sub>	3/4"	I	2	14'-0"		14'-0"	Type I	
P <sub>2</sub>	1/2"	I	2	13'-9"		13'-9"		
P <sub>3</sub>	"	"	"	13'-4"		13'-4"		
P <sub>4</sub>	"	"	"	12'-11"		12'-11"		
P <sub>5</sub>	"	"	"	12'-6"		12'-6"		
P <sub>6</sub>	"	"	"	12'-2"		12'-2"	Type II	
P <sub>7</sub>	"	"	"	11'-9"		11'-9"		
P <sub>8</sub>	"	"	"	11'-4"		11'-4"		
P <sub>9</sub>	"	"	"	11'-0"		11'-0"	Type III	
P <sub>10</sub>	"	"	"	10'-7"		10'-7"		
P <sub>11</sub>	"	"	"	10'-2"		10'-2"		
P <sub>12</sub>	3/8"	II	22			6'-7"		
P <sub>13</sub>	3/8"	I	8	9'-9"		9'-9"		
P <sub>14</sub>	3/8"	I	4	4'-9"		4'-9"	Type IV	
P <sub>15</sub>	3/8"	VII	11	9'-6"	18 1/2"	20'-7"		
P <sub>16</sub>	6 ga	I	30	bend on site		3'-6"		
d <sub>1</sub>	3/8"	II	124	15'-1"		16'-1"		
d <sub>2</sub>	3/8"	IV	60			16'-4"		
d <sub>3</sub>	3/8"	I	104	18'-9"		18'-9"	Type V	
d <sub>4</sub>	3/8"	V	144			4'-8"		
d <sub>5</sub>	3/8"	VI	144			4'-4"		
H <sub>1</sub>	1/2"	VIII	40	3'-6"	2"	7'-4"		
H <sub>2</sub>	3/8"	VII	8	3'-9"	5"	7'-11"		
H <sub>3</sub>	3/8"	VIII	16			4'-3"	Type VI	
S <sub>1</sub>	supplied with structural steel.							
S <sub>2</sub>	1/2"	I	12	8'-4"		8'-4"		
S <sub>3</sub>	3/8"	VII	18	2'-1"	6"	4'-8"		
S <sub>4</sub>	3/8"	VII	36	1'-9"	9"	4'-3"		
A <sub>1</sub>	3/8"	IX	30			22'-1"	Type VII	
A <sub>2</sub>	3/8"	VIII	8	12'-0"	13"	25'-1"		
A <sub>3</sub>	3/8"	XI	20	17'-10"	2'-7"	23'-0"		
A <sub>4</sub>	3/8"	XI	6	16'-6"	2'-9"	22'-0"		
A <sub>5</sub>	1/2"	I	18	16'-6"		16'-6"		
A <sub>6</sub>	6 ga	I	228	3'-0"	bend on site		3'-0"	Type VIII
A <sub>7</sub>	3/8"	XII	40	2'-6"		5'-0"		
A <sub>8</sub>	1/2"	I	8	9'-6"		9'-6"		
A <sub>9</sub>	1/2"	XII	8	1'-6"		3'-0"		
W <sub>1</sub>	3/8"	X	4	12'-0"		15'-7"	Type IX	
W <sub>2</sub>	"	"	"	11'-4"		14'-11"		
W <sub>3</sub>	"	"	"	10'-7"		14'-2"		
W <sub>4</sub>	"	"	"	9'-11"		13'-6"		
W <sub>5</sub>	"	"	"	9'-2"		12'-9"		
W <sub>6</sub>	"	"	"	8'-6"		12'-1"	Type X	
W <sub>7</sub>	"	"	"	7'-9"		11'-4"		
W <sub>8</sub>	"	"	"	7'-1"		10'-8"		
W <sub>9</sub>	"	"	"	6'-4"		9'-11"		
W <sub>10</sub>	1/2"	I	4	5'-8"		5'-8"		Type XI
W <sub>11</sub>	"	"	"	4'-11"		4'-11"		
W <sub>12</sub>	"	"	"	4'-3"		4'-3"		
W <sub>13</sub>	"	"	"	3'-6"		3'-6"		
W <sub>14</sub>	"	"	"	2'-10"		2'-10"		
W <sub>15</sub>	1/2"	XIII	4			13'-6"	Type XII	
W <sub>16</sub>	3/4"	I	16	8'-0"		8'-0"		
W <sub>17</sub>	3/8"	I	8	14'-9"		14'-9"		
W <sub>18</sub>	3/8"	I	4	14'-0"		14'-0"		
W <sub>19</sub>	3/8"	I	4	12'-7"		12'-7"		
W <sub>20</sub>	1/2"	I	4	11'-2"		11'-2"	Type XIII	
W <sub>21</sub>	"	"	"	9'-8"		9'-8"		
W <sub>22</sub>	"	"	"	8'-3"		8'-3"		
W <sub>23</sub>	"	"	"	6'-9"		6'-9"		
W <sub>24</sub>	"	"	"	5'-4"		5'-4"		

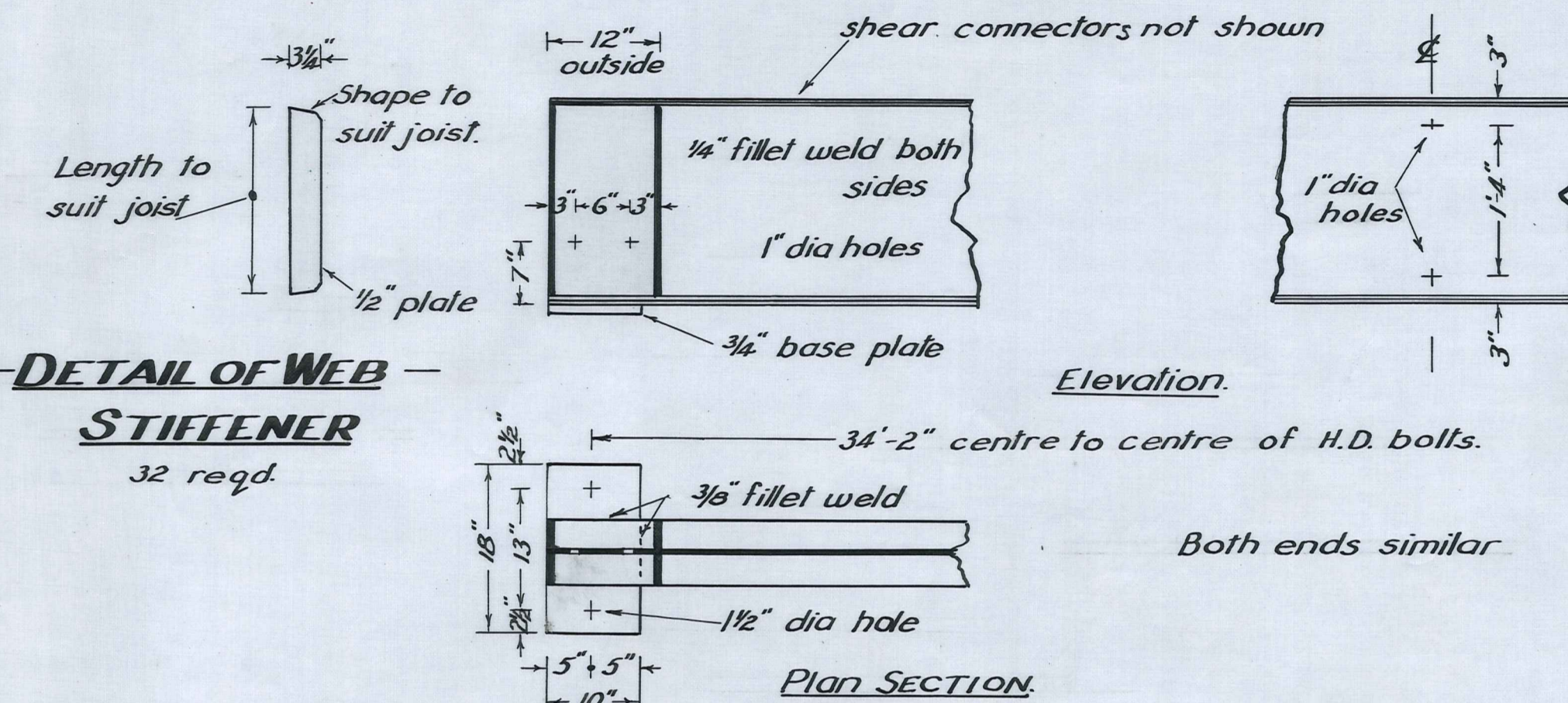
Note: Dimensions are centre to centre of rods.



**- GIRDER LAYOUT -**  
3/8" IN TO 1 FT.  
4 reqd.



**- SHEAR CONNECTOR DETAIL -**  
3" IN TO 1 FT.  
28 per girder



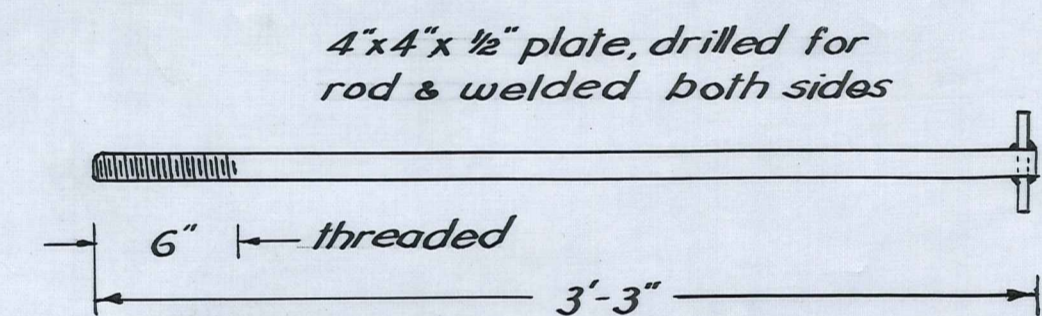
**DETAIL OF WEB STIFFENER**  
32 reqd.

**Elevation.**  
Both ends similar

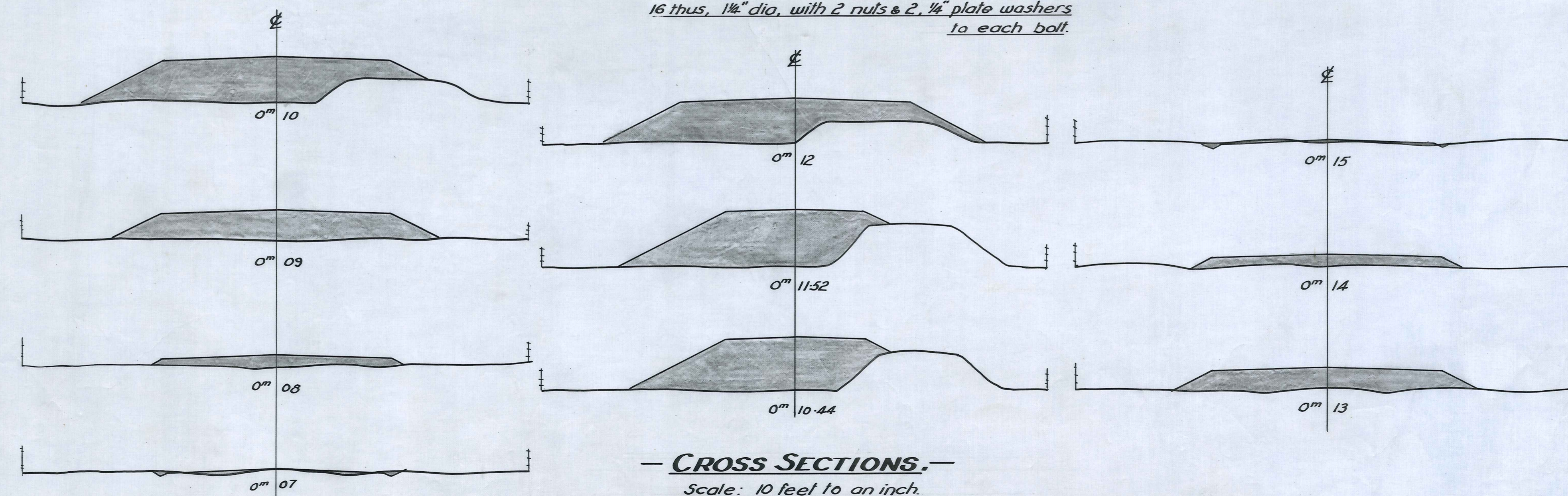
**- GIRDER DETAILS -**  
3/4" IN TO 1 FT.

Bolt dia: 7/8"  
2 nuts & 2 round washers with each bolt.

**- STIFFENER BOLT (S<sub>1</sub>) DETAIL -**  
3/8" IN TO 1 FT.  
12 reqd.



**- HOLDING DOWN BOLT -**  
1 1/2" IN TO 1 FT.  
16 thus, 1 1/4" dia, with 2 nuts & 2 1/4" plate washers to each bolt.



**- CROSS SECTIONS -**  
Scale: 10 feet to an inch.