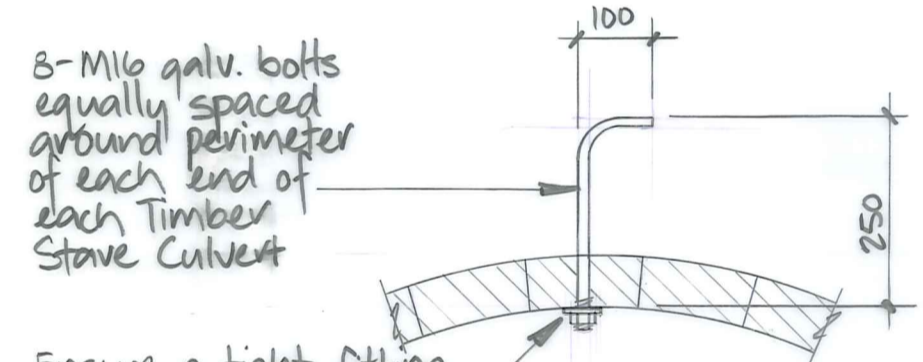
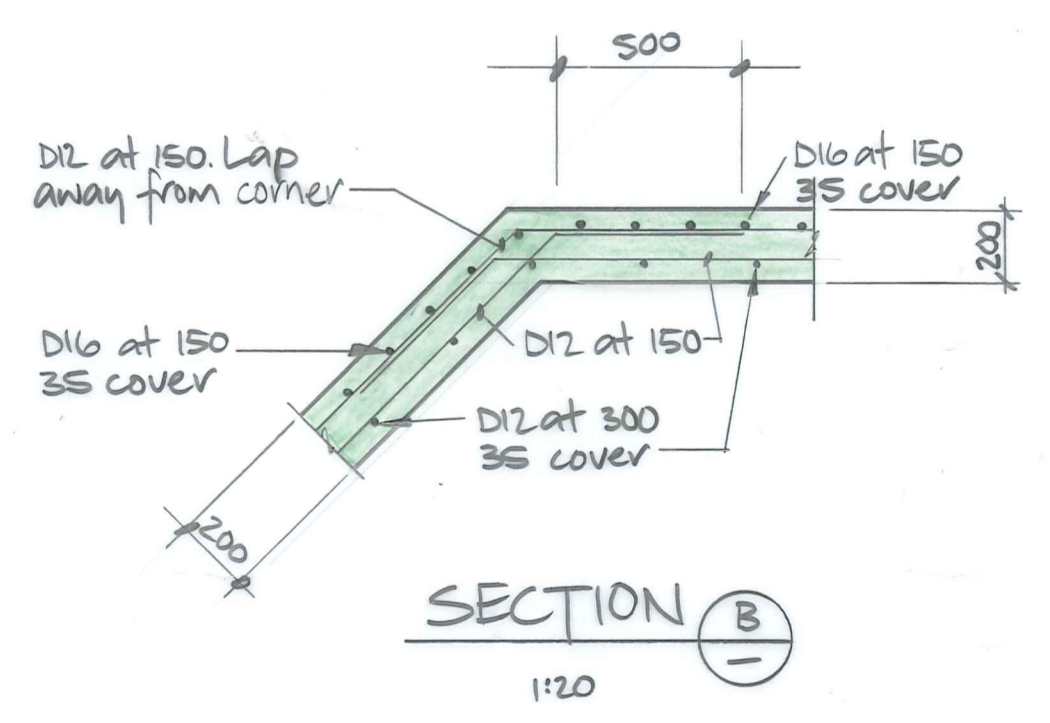


NOTES: All concrete to have a 28 day crushing strength of 20 MPa & be supplied from an approved Ready Mix Plant.
All reinforcement to be from deformed bars to NZS 3402 P Grade 275.

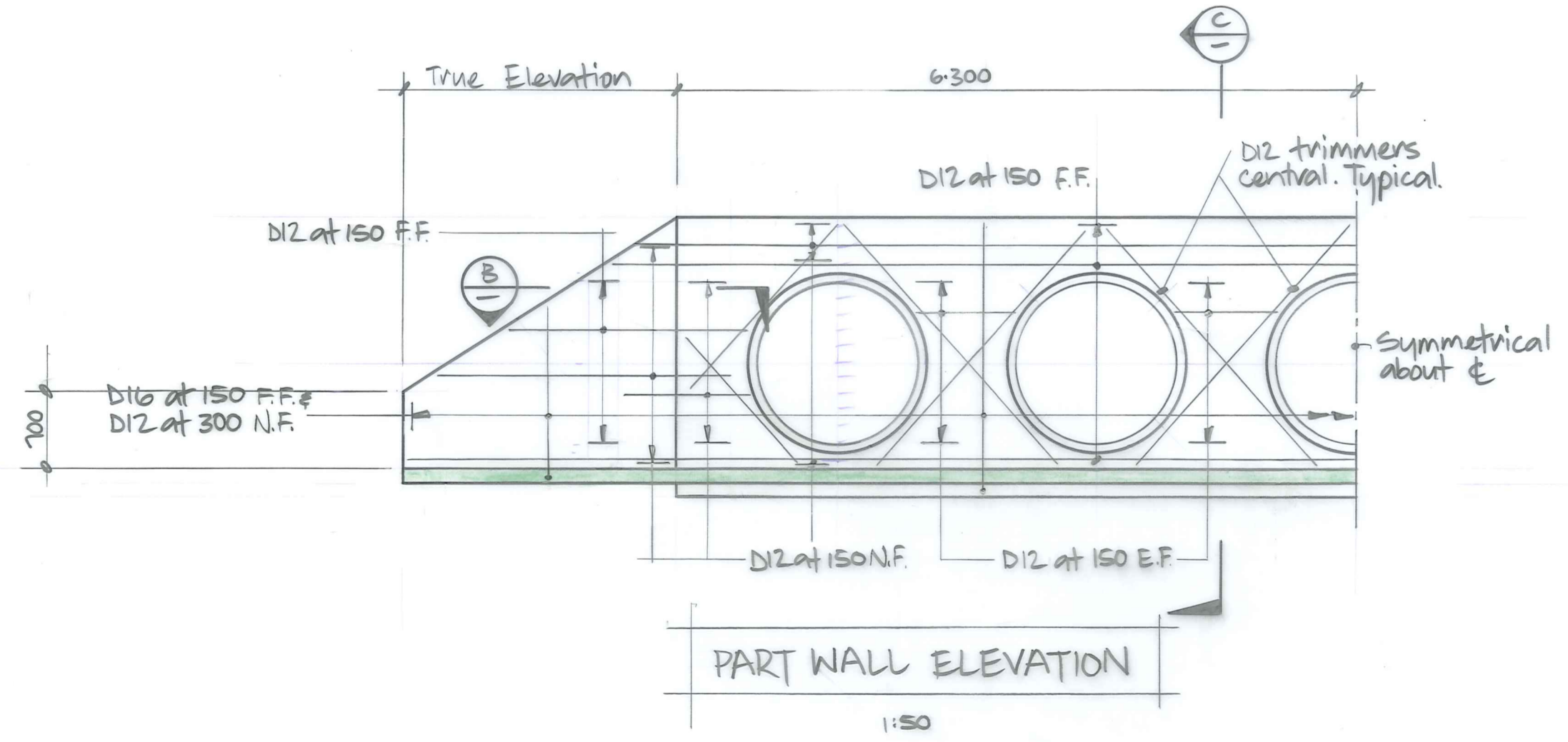


Ensure a tight fitting hole or other means of holding bolt in position during pouring of concrete walls

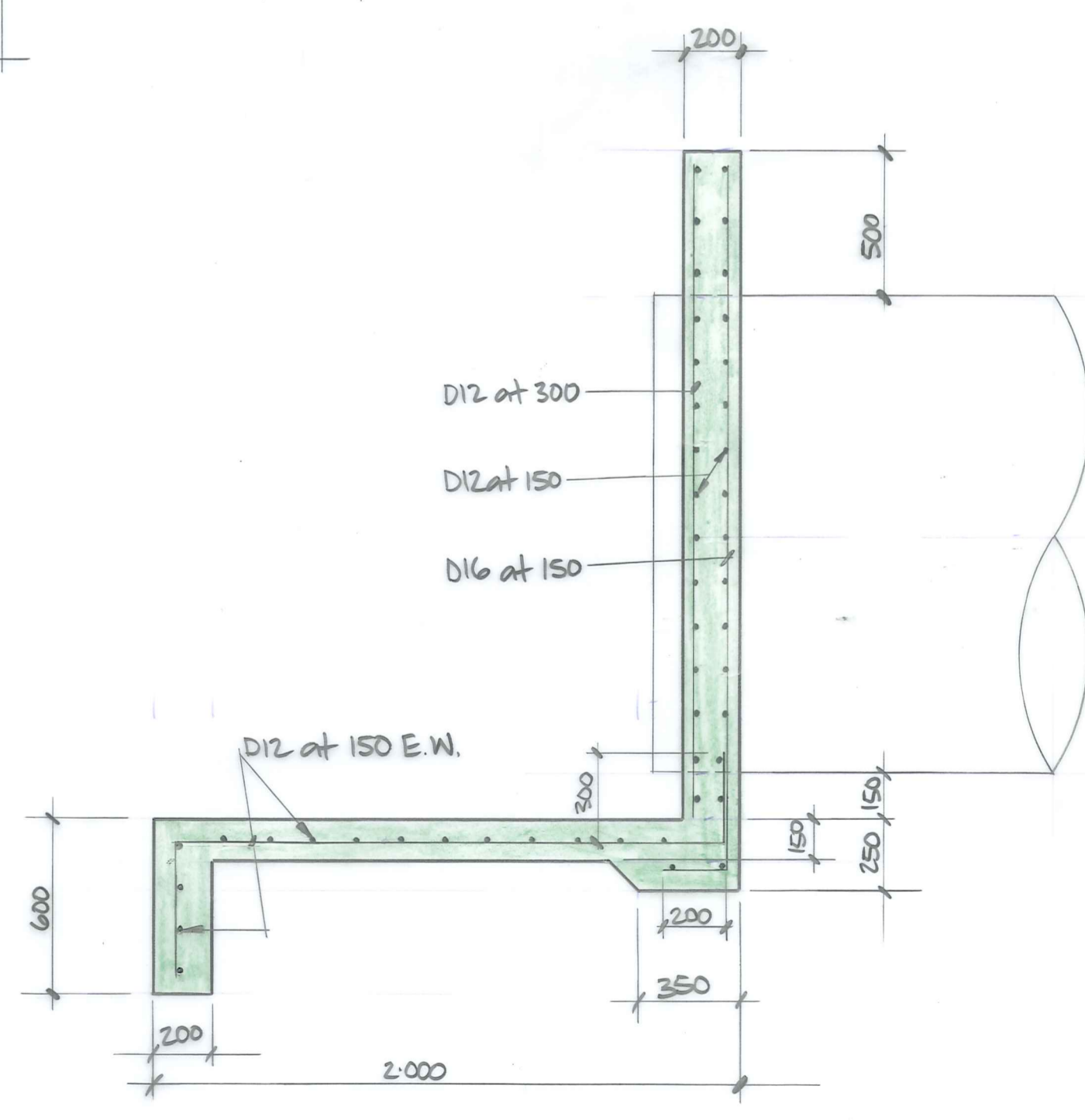
SECTION (A) 1:10



SECTION (B) 1:20



PART WALL ELEVATION 1:50



SECTION (C) 1:20

No.	Revisions	Date	Appr'd
A	BRIDGE PLAN SCALE AMEND	16/1/86	

Designed	W.J. Beekhuis	Date	Dec '85	Print Date
Drawn	G.S. Munnam	Date	Dec '85	
Checked	W.J. Beekhuis	Date	20/12/85	
Approved		Date	Dec '85	
File	6/10/27	L.B. 428	F.B.	

DUFFILL WATTS & KING LTD
Consulting Civil & Structural Engineers
Dunedin Invercargill Alexandra Queenstown

Client
MANIOTOTO COUNTY COUNCIL

Project
REPLACEMENT OF BRIDGE No 5; WOOLSHED CREEK

Sheet Title
CULVERT DETAILS

Job No. 10770
Sheet No. 1
Revision

ORIGINAL SIZE mm